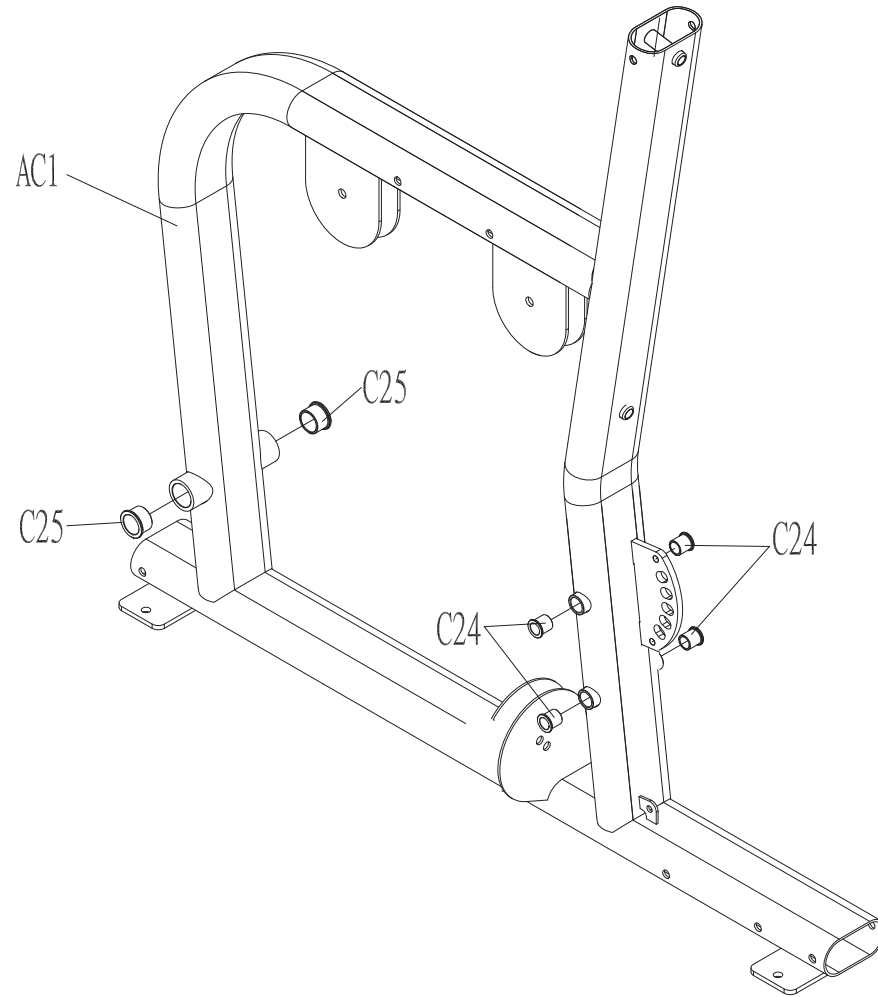
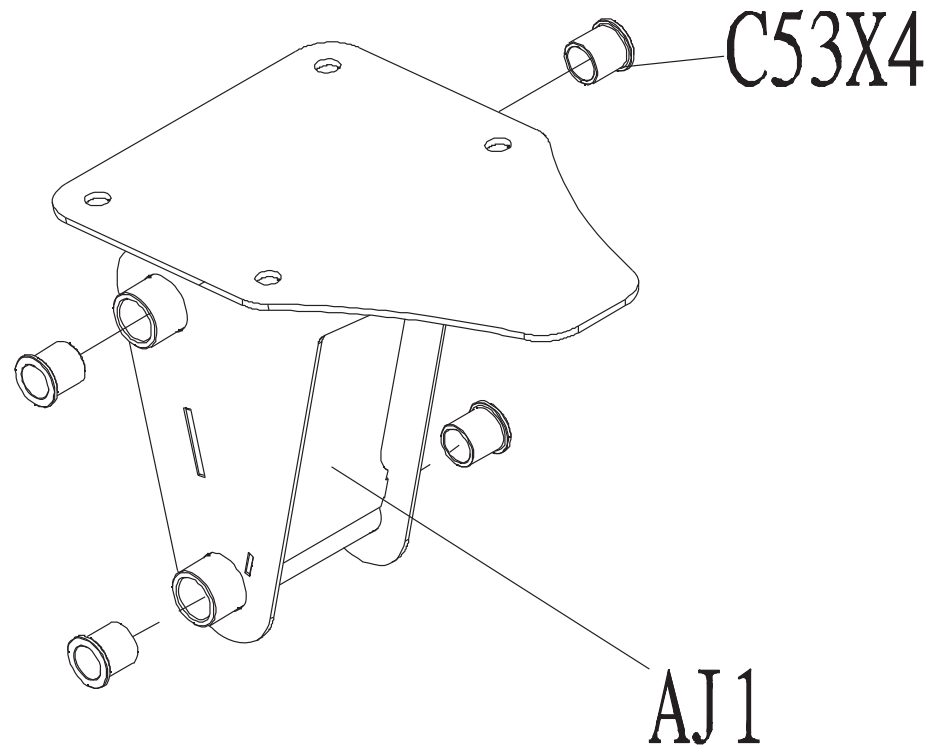




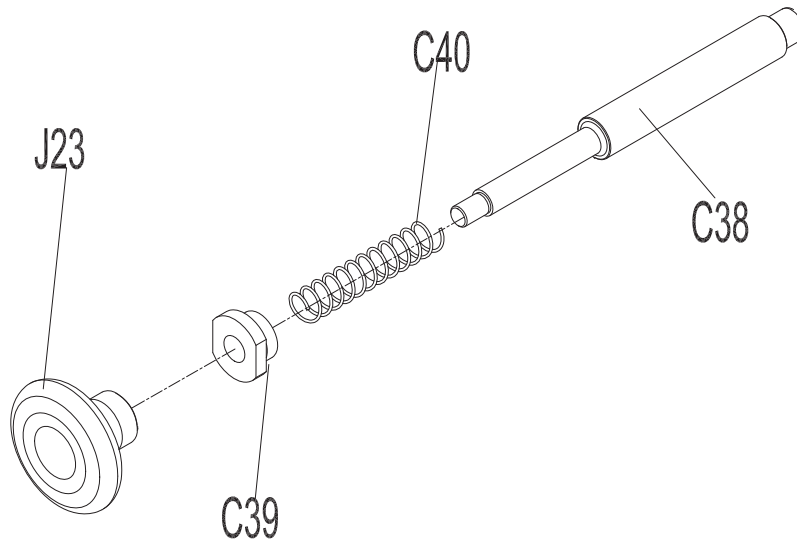
DRAWING NO	GM66-A03		
PART NAME	USER FRAME SET		
PART NO	1000207307		A
APPROVE	NICOLE	DATE	20111223



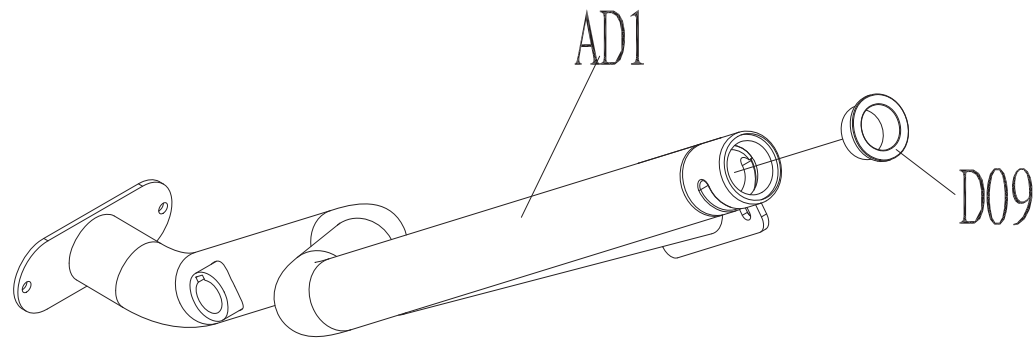
DRAWING NO	
PART NAME	DISASSEMBLY CONNECT SET;SA;LU
PART NO	1000226809 <small>REV</small> A
APPROVE	PAUL DATE 20120711




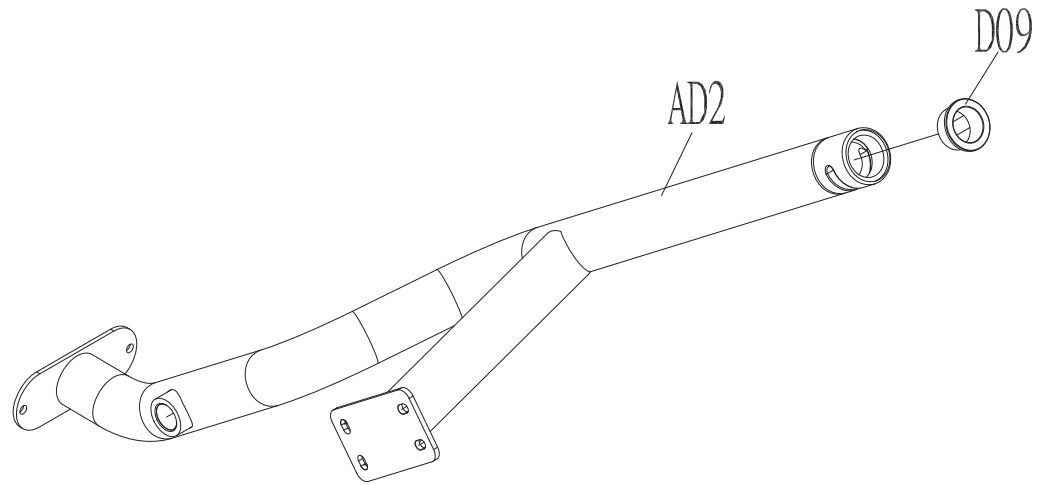
DRAWING NO	
PART NAME	PULL PIN
PART NO	1000209623
APPROVE	CINDY
DATE	20111212
	REV A



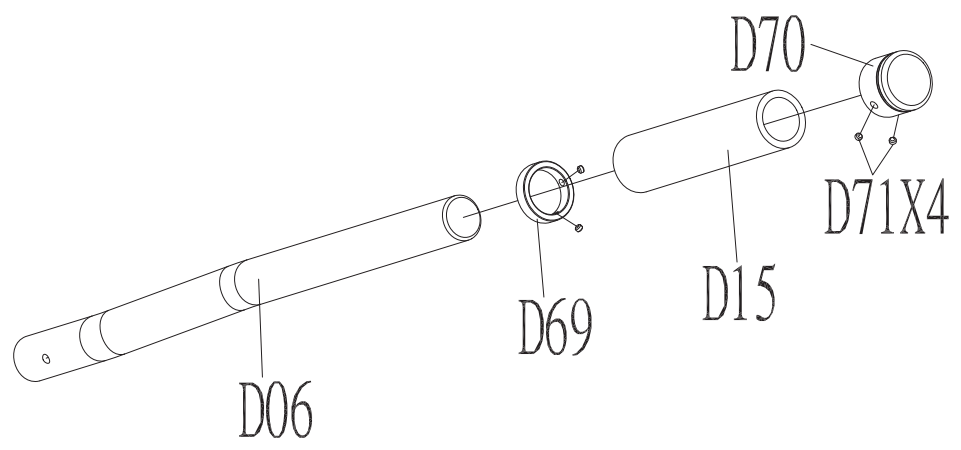
DRAWING NO			
PART NAME	RIGHT ARM SET		
PART NO	1000207269		
APPROVE	NICOLE	DATE	20111223



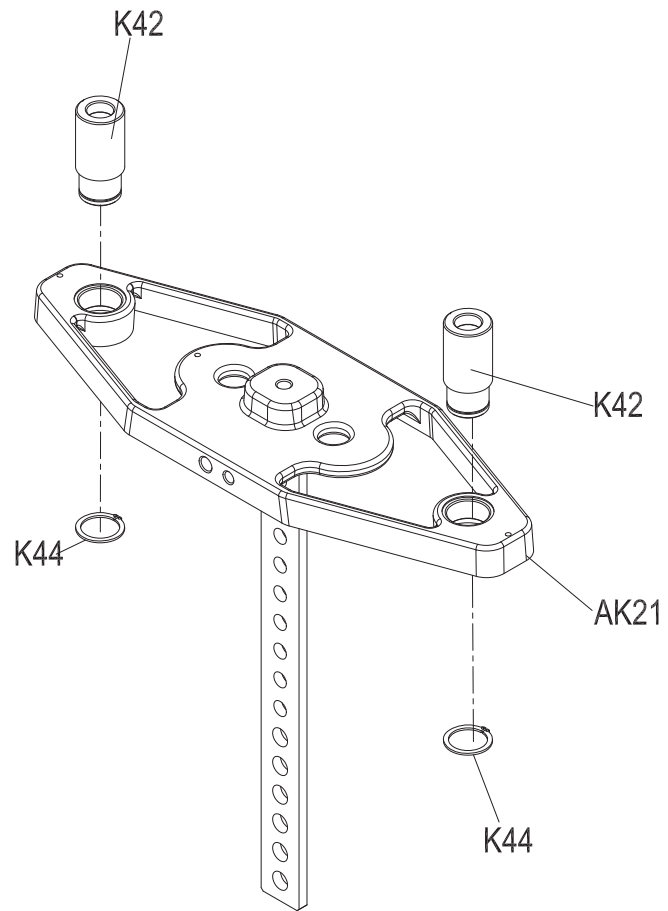
DRAWING NO	GM66-A03		
PART NAME	LFTE ARM SET		
PART NO	1000207276		A
APPROVE	NICOLE	DATE	20111223



DRAWING NO			
PART NAME	HANDLE SET;VALUE LINE		
PART NO	1000207282		
APPROVE	NICOLE	DATE	20111223

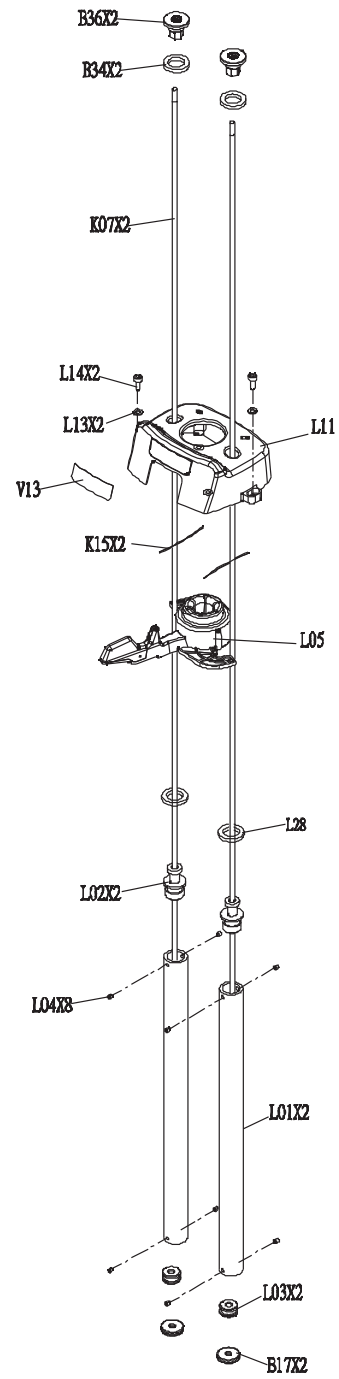


DRAWING NO			
PART NAME	Head Plate		
PART NO	1000207217	REV	A
APPROVE	CINDY	DATE	2012114

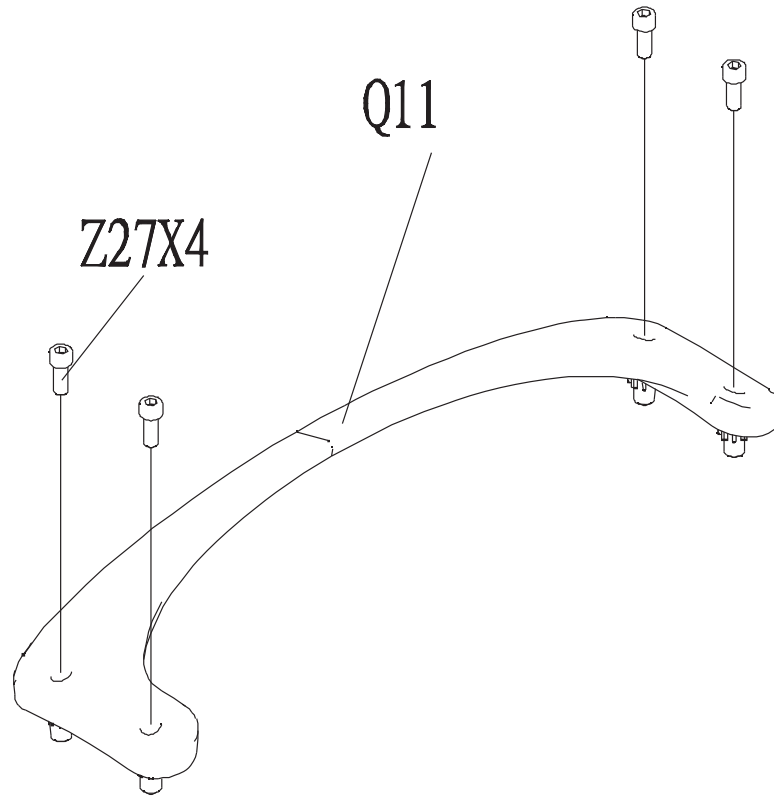




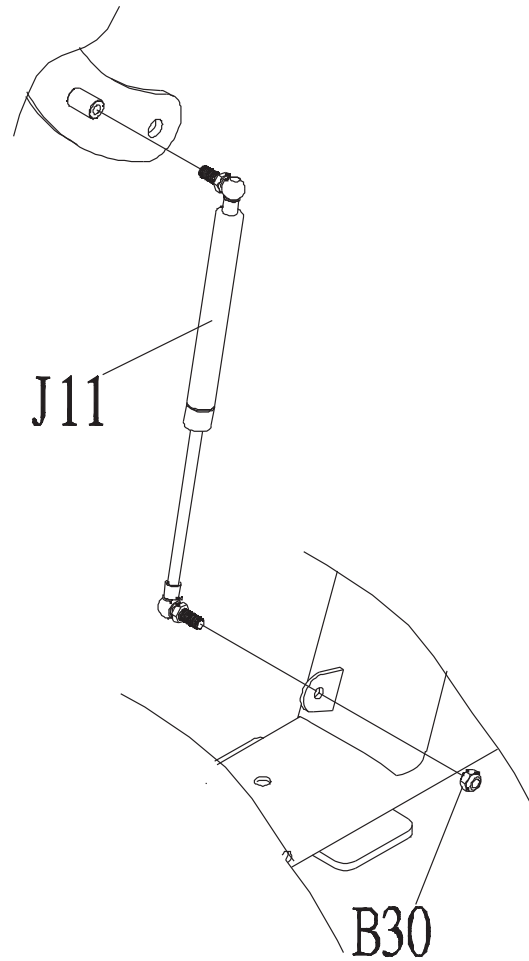
DRAWING NO	
PART NAME	Assistant Weight Plate Set
PART NO	1000113110 <span style="border: 1px solid black; padding: 2px;">REV B</span>
APPROVE	JOHN DATE 20120711



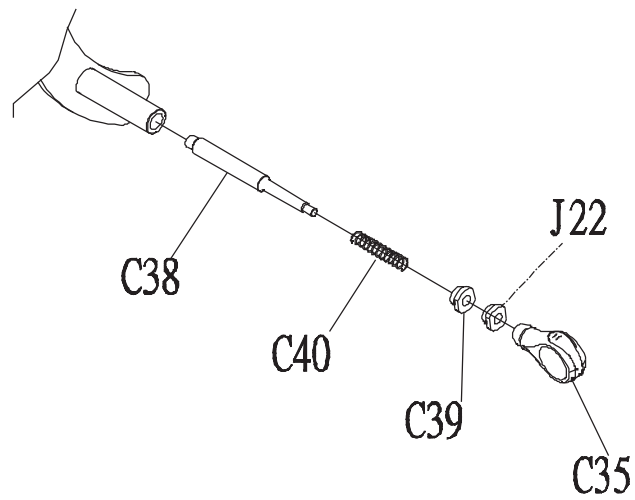
DRAWING NO	
PART NAME	SHIELD SET;U
PART NO	1000220477
APPROVE	PAUL
DATE	20120711



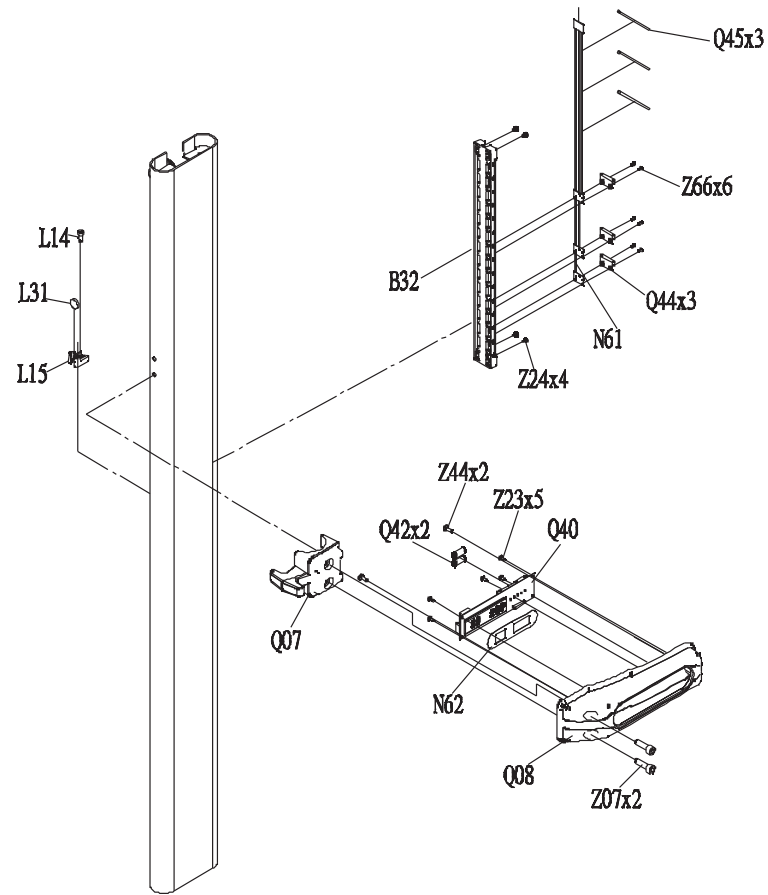
DRAWING NO	
PART NAME	AiR Shock Set
PART NO	1000220728 <small>REV</small> A
APPROVE	PAUL DATE 20120711



DRAWING NO	
PART NAME	PIN SET;SA;ADJUSTABLE (PREMIUM LINE)
PART NO	1000209569  A
APPROVE	PAUL
DATE	101411



DRAWING NO	
PART NAME	<b>SENSE ORGAN SET</b>
PART NO	1000200250 <span style="float: right;">REV A</span>
APPROVE	JOHN      DATE 20120711



Bubble#	OEM Number	Description	Notes
1	1000207307	USER FRAME SET GM66-KM	
13	1000217908	PREMIUM LEVEL SA GM66-KM	Contains all Premium Part Kits (Kits 14-18 & AD3).  Premium version of Kit 3.
14	1000220477	PREMIUM - SHIELD SET U GM59 -	
15	1000220728	PREMIUM - Air Shock Set GM59-KM	
16	1000217204	PIN SET R SA (PREMIUM) GM70-KM	
18	1000200250	PREMIUM - REP COUNTER	
2	1000466205	Seat Adjustable Set Semi-Assy Iced Sliv	This part is Iced Silver Dark Gray is discontinued. See service bulletin "Seat Adjustable Set Color Change". Order Kit 16 for Premium.
3	1000305793	Pin set Semi-Assy FW212-KM	
4	1000207269	PEDAL ARM SET R GM66-KM	
5	1000207276	PEDAL ARM SET L GM66-KM	
6	1000207282	Grip Set GM66-KM	
7	1000207217	Wps Superstratum GM59	
8	1000113110	Assistant Weight Plate Set GM59-KM	
AB1	1000205415	FRAME SET - GM63 -	
AD3	014734-F	PREMIUM - Grip Set Dipping Extrawork GM13	
AG1	1000228426	DISASSEMBLY CONNECT SET SA D GM66-KM SER	
AG2	1000228427	DISASSEMBLY CONNECT SET SA U GM66-KM SER	
AJ3	1000228424	SEAT SET SA RU GM66-KM SERVICE	
AJ4	1000228425	SEAT SET SA LU GM66-KM SERVICE	
AK13	1000215667	Weight Plate axle sleeve - Extrawork,10LBS GM	
AK14	1000215776	WPS set axle sleeve - Extrawork,15LBS GM	
AK21	1000207218	Wps Set Superstratum Paint GM59	Color changed from Dark Grey to Black Matte beginning in 2021. See service bulletin "Seat Adjustable Set Color Change".  Kit works with both light and heavy weight plate stacks.
B06	1000303546	Plastic Pad Foot Pad - PP BL427	
B13	1000112985	Elastomer Weight Plate GM59	
B17	1000112984	Elastomer Assistant Weight Plate GM59	
B18	1000200252	RUBBER STOPPER - GM59	

B20	1000230611	SUPPORT PLATE WHEEL SPHC CHM GM59
B21	1000393987	Sleeve CON Tube painting Iced Sliver G
B22	1000204728	FIXING PLATE ROPE WHEEL SPHC GM59-KM
B23	073573	Pulley 115mm
B24	1000108796	Screw RND M10x1.5Px55L HS CHM BP G12.9
B25	020465-AB	Washer Flat M10.2X25PX2.0T Chromed
B26	004910-00	Nut NLK M10X1.5P CHM
B27	1000221624	BLOCK - - PAINTING - - -
B28	004479-ABX	Screw Hex Socket Round M8x1.25Px15L Cr A
B29	005145-AC	Washer Flat 8.2x19.0x2.0T Chromed
B30	004929-00	Nut Nylon M8x1.25P Chromed
B30	004929-00	Nut Nylon M8x1.25P Chromed
B32	1000096026	Fixing Base Sensor ABS GM40
B34	1000215843	PLASTIC PLATE FRAME CR -
B35	005144-AC	Washer Flat 10.2X35.0X2.0T Chromed
B36	1000215844	Guide Rod fitting, Chromed
B37	004696-AB	Screw TH M8x1.25Px20L Hex Socket Chrom
B45	1000230891	SCREW SET M10X1.5PX65L FLATHEADED HS C
B76	1000233200	PLASTIC COVER NBR BL
C20	081649	Washer SPL SW8 8.2X13.5X2.0T CHM
C23	1000113094	Adjust Plate Seat Chair Chromeplate SPHC
C24	1000096014	Bushing 15x19x20T GM40
C25	1000098549	Bushing 30x25x20mm GM44
C26	1000108806	Screw RND M10x1.5Px15L HS CHM BP G12.9
C35	096165	Adjustment Grip Set - APPLY RED LOCTITE TO PIN THREADS WHEN INSTALLING REPLACEMENT HANDLE
C39	1000102675	Stopper Block Pull Pin GM43
C40	1000358938	Spring Compression 1.2x12.9x65Lx12N 65
C42	1000113092	Axis Connect Pole 45# Chromeplate GM59
C45	1000108805	Screw RND M8x1.25Px20L HS CHM BP G12.9
C47	1000205448	PLASTIC COVER - - - GM59
C50	005129-AB	Washer Flat 8.0X23.0X2.5T Chromed
C53	1000096014	Bushing 15x19x20T GM40

D08	1000216132	BALANCE PLATE - 14.5KG - - HT200
D09	009476-C	Bushing Pedal Arm CU GM13
D10	1000207284	AXLE, CENTRAL ARM S45C
D12	1000207285	BLOCK ARM AXIS 42CRM0
D14	001556-A	Sleeve Swivel Axle POM BL GM13
D15	1000216251	FOAM ELASTOMER Diam.30.4X5TX175L GM66-KM
D69	009355-B	Stopper Mast Foam AL6061 GM02
D70	009372-E	Cap Grip GM02
D71	084241	Screw Set M6X1.0PX5L BP POT
F01	1000207381	STEEL ROPE Diam.4.8X4894L
F02	1000228420	FIX SET SA PULLEY#RIGHT GM66-KM SERVICE
F03	1000228421	FIX SET SA PULLEY#LEFT GM66-KM SERVICE
F06	1000113067	Mast Bearing LKAC_12_M GM59
F07	1000113066	Space Mass Mast Bearing 20# Chromeplate
G04	1000215741	FIXED SET - RD PAINTING - - GM63
G09	1000487589	Stopper Block SBR BL/Black C FW202
G19	1000216939	Protective Adhesive
J10	1000226804	SEAT SET SA D GM63 SERVE
J15	1000113095	Cover Seat Chair GM59
J41	1000227041	SLEEVE S45C WZN CONNECTING
J42	084666	Screw SH M10X1.5PX160L HS CHM
K06	1000113106	Tightwire Fix Pin 45# GM59
K07	1000113102	Guide Rod SUS304 Diam.6X1421.7 GM59
K15	1000204997	Steel Weight Plate Up 1080 Spring Steel
K17	1000202352	Cushion Guide Rod
K37	1000209625	GUIDE ROD 45 - WEGHT PLATE
K38	1000102915	Circlip E Type E-15 Cr Plate
K42	1000215659	BUSHING GUIDE ROD POM
K44	1000102912	Circlip External C Type S-30 BED
K47	004945-00	Nut Nylon M12x1.75P Chromed
L01	1000113111	Incremental Weight Plate - GM59-KM - Pai

Color changed from Dark Grey to Black Matte beginning in 2021. See service bulletin "Seat Adjustable Set Color Change".



L02	1000113107	Axis Sheath Leader GM59	
L03	1000211166	PLASTIC BASE ADD WEIGHT PLATE POM GM5	
L04	1000210485	SCREW SET M5X0.8PX6L FLAT POINT HS G8.8	
L05	1000200264	GRIPE ABS+TPR GM59	
L10	1000201802	PULL PIN SET WPS GM62 -	
L11	1000207213	COVER INCREMENTAL WEIGHT ABS - - -	
L13	070571	Washer Flat 5.2X10.0X1.5T CHM	
L14	1000108801	Screw RND M5x0.8Px15L HS CHM BP G8.8	
L15	1000209576	PLASTIC BASE MAGNET ABS FIXING	
L28	1000224913	Cushion Aaw Nbr BI	
L31	1000232864	PERMANENT MAGNET - 1500## ##	
N61	1000229510	WIRE DISPLAY BOARD -- OKI HARBOR 2.5-	
N62	1000096575	Overlay Manipulate GM40	
Not Shown	ZMS4003245	Decal, QR, VS-S42 Triceps Press	
Q01	1000113113	Cover Up ABS GM59	
Q02	1000113114	Cover Front Clarity ABS GM59	
Q03	1000113115	Cover Back Clarity ABS GM59	
Q07	1000209577	PLASTIC BASE REP COUNTER - FIXING	
Q09	1000209593	END CAP ACCENT	
Q12	1000209591	PLASTIC BAR - PVC - LABEL	
Q13	1000303486	Clamp Cover -	
Q42	ZMS4001255	Battery, AA for console	
Q44	001679-00	Tie Strap Adhesive Nylon 66 HC-101 W	
Q45	005811-00	Cable Tie Nylon Black 160L	
V01	1000222222	INSTRUCTIONAL LABE FRONT	
V02	1000222223	INSTRUCTIONAL LABE REAR GM66-KM	
V03	1000215718	SPEC LABEL 10 LB WEIGHT PLATE BLACK PC	10lb labels.
V04	1000409123	Direction Label Weight Plate 230lbs/140k	15lb labels.
V05	1000215704	MARKING GM59-KM	
V06	1000215723	DIRECTION LABEL SEAT ADJUSTABLE - PC LEF	
V07	1000215724	DIRECTION LABEL SEAT ADJUSTABLE - PC RIG	
V10	1000217282	DIRECTION LABEL SEAT ADJUSTABLE - PC -	
V13	1000221799	DIRECTION LABEL AAW - PC -	
V33	1000232600	Warning Label - - - PC - -	

Z01	1000231572	SCREW SH M10X1.5PX20L HS BP CHM
Z02	020111-ZA	Screw Hex Socket Round M10x1.5Px125L(Too
Z03	020092-00	SCREW SH M8X1.25PX35L HS CHM
Z04	1000231503	SCREW SH M8X1.25PX25L-12L P-T HS G12.9 C
Z05	1000108189	Screw RND M10x1.5Px50L-15L MT HS CST CHM
Z06	1000097206	Screw SH M8X1.25PX25L HS CHM BP
Z07	098577	SCREW HEX M8X1.25X35L
Z08	004525-00	Screw Hex Socket Round M8x1.25Px50L
Z09	005047-00	Washer Flat 8.2x20x1.8T Black Zinc
Z10	004518-00	Screw SH M10X1.5PX75L HS CHM
Z16	1000102584	Screw Hex M10x1.5Px20L Cr Plate G12.9
Z23	020196-A	Screw Phillip BH Tapped 3x6L Zn-BL
Z24	004870-00	Screw Plain Tapping Rail Lock 5x15L
Z26	1000215728	DIRECTION LABEL SEAT ADJUSTABLE PC
Z27	020081-00	Screw SH M8X1.25PX60L HS G12.9
Z44	1000104672	Screw BH M5x0.8Px10L HS CST CST CST CHM
Z63	004442-AB	Screw Hex Socket Round M4x0.7Px10L
Z66	040816-A	Screw Phillip BH Tapped 3x8L
AC1	Part of Kit 1	BASE SET PAINTING GM66-KM
AD1	Part of Kit 4	PEDAL ARM SET RIGHT PAINTING GM66-
AD2	Part of Kit 5	PEDAL ARM SET L PAINTING GM66-KM
AK21	Part of Kit 7	Wps Set Superstratum Paint GM59
C38	Part of Kit 3 or 16	AXLE, CENTRAL 45 - PULL PIN
D06	Part of Kit 6	GRIP 20 GM66-KM
J11	Part of Kit 15	AIR STICK 23KG 336.5L GM59
J22	Part of Kit 16	RING SPHC PULL PIN
J23	Part of Kit 3	Pull Pin Handle TPP ORANGE GM59
J26	See Pad Matrix	Back Pad Black
J27	See Pad Matrix	Seat Pad Black
Not Shown	1000207386	Hardware Kit
Q06	Part of Kit 18	PLASTIC PAD DISPLAY TPE
Q11	Part of Kit 14	GRIPEND TOP COVER - - - ADC12
Q14	Part of Kit 18	PLASTIC BASE COUNTER TPR GM59-KM
Q40	Part of Kit 18	UCB Matrix GM40 H102S1.60

Q48	Part of Kit 18	Fixing Base PC GM40	
V22	N/A	WARNING LABEL SMALL JAPANESE GM40-KM	Not stocking (Japanese decal)
V32	1000224872	LOGO LABEL GM59 WATER TRANSFER	
V34	N/A	EN LABEL PC GM66	Discontinued
16	1000209569	PREMIUM - PIN SET SA ADJUSTABLE# GM59	Discontinued - Premium version of Kit 3. Discontinued - Dark Gray - Used before VSGM66HI2105G006. See service bulletin "Seat Adjustable Set Color Change".
2	1000113079	Seat Chair Adjust Set GM59-KM	
3	1000209623	PIN SET SA ADJUSTABLE#VALUE LINE# GM59 -	Discontinued - Order Kit 16 for Premium.
B21	098979	Sleeve CON Dode Peadel Arm 45# GM40	Discontinued
B29	005040-AB	Washer Flat 8.4X15.5X1.6T	Discontinued
C40	005486-E	Spring SWP GM09	Discontinued
G04	1000226805	FIX SET SA GM63 SERVE	Discontinued
G09	090440	Stopper BlockRubber GM30	Discontinued
K68	062949-B	Limiter Ring Guide Rod	Discontinued
L01	1000215719	BUSHING Q195 - AAW	Discontinued
Q13	1000209592	CLAMP COVER TINNEMAN D43806-014 - - -	Discontinued
V04	1000215727	DIRECTION LABEL WEIGHTPLATE#15LBS PC	Discontinued - 15lb labels.
Z03	020092-AB	Screw Hex Socket Round M8x1.25Px35L Adhe	Discontinued